

DERBI-ELIMINAILER-T

DESCRIPTION

Replacing wood nailers at the building perimeter with DERBI-Eliminailer-T increases the structural integrity of the roof perimeter, significantly reduces the risk of failure and helps protect the entire roof system from costly damages and blow off. DERBI-Eliminailer-T comes in varying sizes for low slope applications, non-tapered, and pitched metal roof retrofits. In addition, DERBI-Eliminailer-T is fast and easy to install and comes with pre-punched fastening holes to ensure proper installation every time.

FEATURES & BENEFITS

- ▶ Easy and precise installation with pre-punched holes, installs up to 60% faster than wood nailers
- ▶ Made from heavy-gauge extruded aluminum: will not warp, crack, split, rot, or deform
- ▶ Allows for continuous insulation application to the edge of the roof for increased thermal performance
- ▶ Carefully designed and tested to comply with ANSI/SPRI/ES-1, the International Building Code

PRODUCT SELECTION

1.5" DERBI-Eliminailer-T replaces one wood nailer and allows 1.5" of polyiso and 1/2" cover board or up to 2" of Polyiso. Available in 2.5" and 5.5" flange widths.

3" DERBI-Eliminailer-T replaces two wood nailers and allows 3" of polyiso and 1/2" cover board or up to 3.5" of Polyiso. Available in 2.5" and 5.5" flange widths.

5.2" DERBI-Eliminailer-T replaces three wood nailers and allows 5.2" of polyiso with a 1/2" cover board or up to 5.7" of Polyiso. Available in 4" and 5.5" flange widths.

DERBI-Eliminailer-T Metal Roof Retrofit offers versatility on metal retrofit projects. Available in 1.5" & 3" Pitched, 5.2" non-pitched versions.

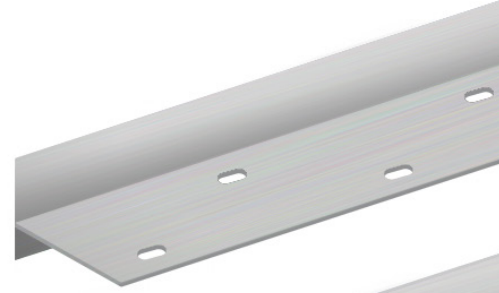
COMPANION PRODUCTS

- » DERBI-TITE SENTINEL® Drip Edge
- » DERBI-TITE SENTINEL® Drip Edge-Pitched
- » DERBI-TITE SENTINEL® HG Fascia
- » DERBI-ANCHOR HG Fascia
- » DERBIGUM Industrial Gutter

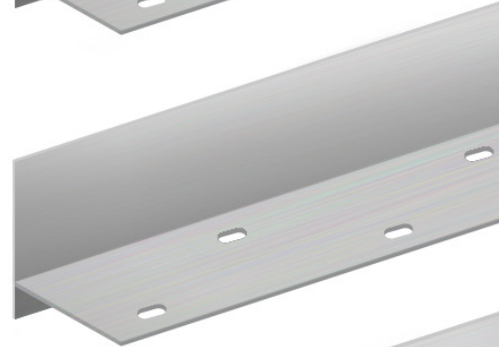
TECHNICAL SERVICES

Engineering and shop drawings are available from the factory. Product samples, detail sheets, color chips, and color charts are ready for your submittal package. Long-form specifications and CAD details are available on our website. For personal assistance with questions or submittals, contact Performance Roof Systems Technical Services.

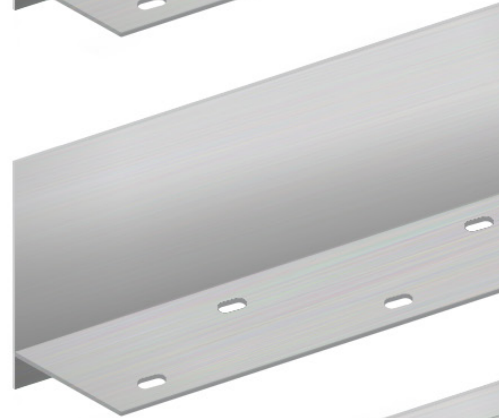
T-1.5"



T-3"



T-5.2"



Metal Roof Retrofit

