

# DERBI-TITE SENTINEL® DRIP EDGE - PITCHED

## DESCRIPTION

DERBI-TITE SENTINEL® Drip Edge-Pitched combines custom engineering and superior performance with an attractive appearance. The pitched roof flange allows for a non-strip in drip edge option for sloped roofs up to 4" / 12" pitches. With this unique design, DERBI-TITE Drip Edge systems are designed for fast and easy installation, eliminating the stripping in that is typical of other roof edge designs.

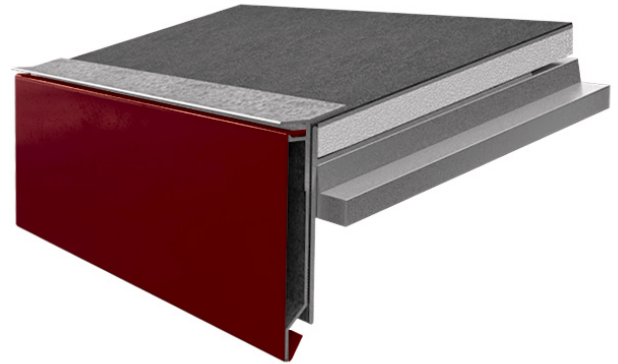
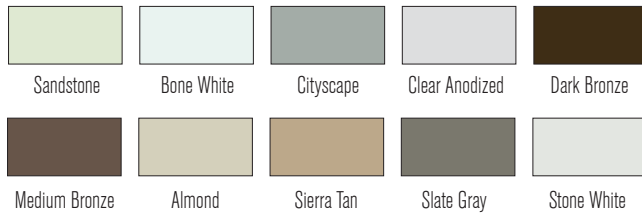
## ADVANTAGES

- ▶ Non-penetrating design eliminates the need for stripping-in or heat welding that are typical with other roof edge systems
- ▶ Sizes range from 3" up to 7½" face heights to accommodate multiple nailers and coverage requirements.
- ▶ Manufactured in 12 ft lengths with pre-punched holes that are slotted to allow for proper thermal movement
- ▶ FM approved for wind uplift protection
- ▶ Carefully designed and ANSI/SPRI/ES-1 Tested to comply with the International Building Code

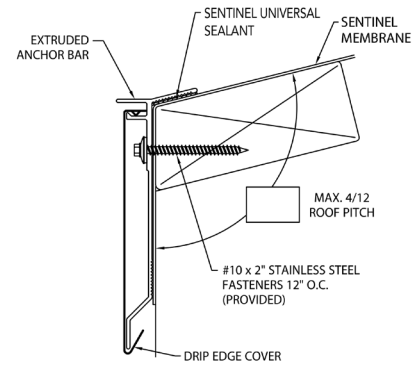
## COLORS & FINISHES

Express, standard and premium colors and finishes are available to meet your job requirements. Includes a 30-year Kynar 500 finish warranty on coil-coated standard colors. Custom colors are also available. For the most accurate color representation contact Performance Roof Systems to request a paint chip.

### 10 EXPRESS COLORS FOR QUICK SHIPPING



## TYPICAL INSTALLATION



## TECHNICAL SERVICES

Engineering and shop drawings are available from the factory. Product samples, detail sheets, color chips and color charts are ready for your submittal package. Long form specifications and CAD details are available on our web site. For personal assistance with questions or submittals, contact your local representative or call Performance Roof Systems.