

DERBI-TITE SENTINEL[®] FASCIA

DESCRIPTION

DERBI-TITE SENTINEL[®] Fascia combines custom engineering and superior performance with an attractive appearance. The design of the extruded aluminum anchor bar securely terminates the membrane, providing superior protection.

This top-line fascia provides the maximum protection against wind uplift damage. Rigorously tested, DERBI-TITE SENTINEL[®] Fascia is proven to be compliant with all relevant building codes. Additionally it is easy to install, reducing time and labor and saving costs.

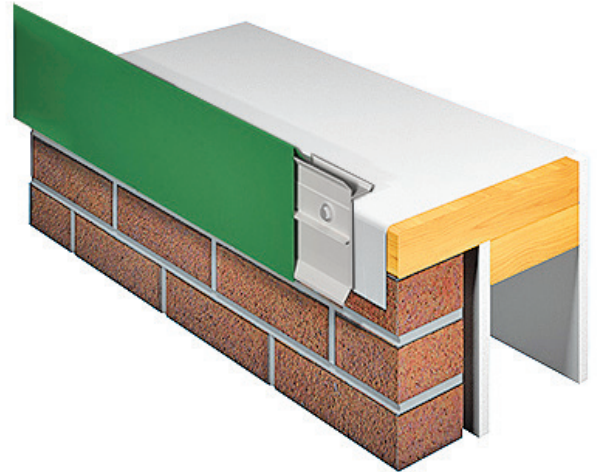
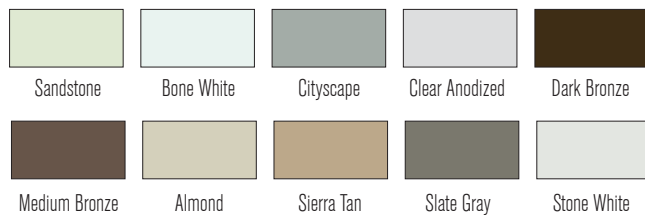
ADVANTAGES

- ▶ Non-penetrating design eliminates the need for stripping-in or heat welding that are typical with other roof edge systems
- ▶ Sizes range from 4" up to 8 1/2" face heights to accommodate multiple nailers and coverage requirements.
- ▶ Manufactured in 12 ft lengths with pre-punched holes that are slotted to allow for proper thermal movement
- ▶ FM approved for wind uplift protection
- ▶ Carefully designed and ANSI/SPRI/ES-1 Tested to comply with the International Building Code

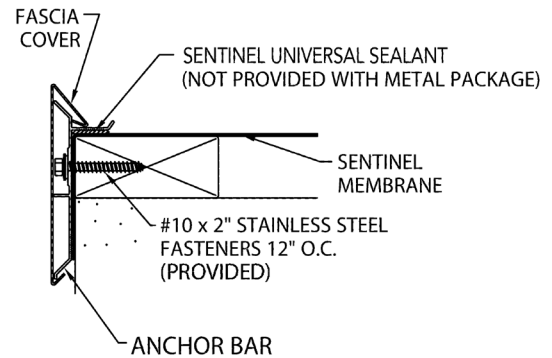
COLORS & FINISHES

Express, standard and premium colors and finishes are available to meet your job requirements. Includes a 30-year Kynar 500 finish warranty on coil-coated standard colors. Custom colors are also available. For the most accurate color representation contact Performance Roof Systems to request a paint chip.

10 EXPRESS COLORS FOR QUICK SHIPPING



TYPICAL INSTALLATION



TECHNICAL SERVICES

Engineering and shop drawings are available from the factory. Product samples, detail sheets, color chips and color charts are ready for your submittal package. Long form specifications and CAD details are available on our web site. For personal assistance with questions or submittals, contact your local representative or call Performance Roof Systems.