

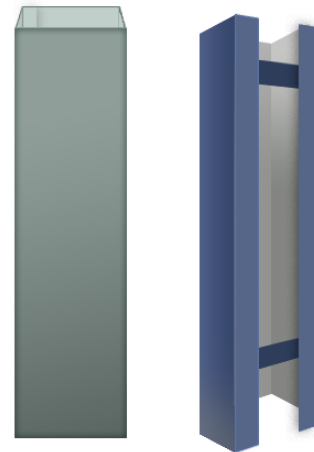
DERBIGUM INDUSTRIAL DOWNSPOUT

DESCRIPTION

Unique design, superior roof drainage, and attractive appearance make DERBIGUM Industrial Gutters and Downspouts stand out from the crowd. Manufactured with an open or closed face, DERBIGUM Industrial Downspouts can be customized to meet any roof's drainage or collection need.

FEATURES & BENEFITS

- ▶ Closed Downspouts feature a Pittsburgh seam for a clean, professional finish without any unsightly rivets
- ▶ Closed Downspouts are manufactured with tapered ends to easily fit together to eliminate notching and crimping in the field
- ▶ Opened-face Downspouts help prevent blockage due to ice and debris build-up
- ▶ Open and Closed downspouts are manufactured with simple connection configurations and include three attachment straps per 12' section for fast and easy installation
- ▶ Custom sizes are available



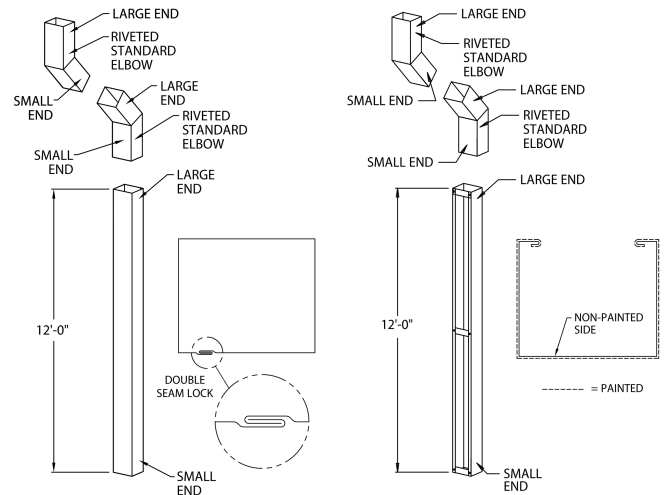
TYPICAL PROPERTIES

Hangers	Three 2" wide attachment straps per 12' section
Materials	Manufactured in 12' lengths and available in the following materials: 24 ga Steel .040" aluminum .050" aluminum .063" aluminum
Finishes	- Natural mill-finish aluminum - Pre-coat Kynar® 500 - Premium metallic Kynar - Anodized aluminum – clear, bronze, and black - Custom post-painted Kynar finishes available upon request

COLORS & FINISHES

Express, standard and premium colors and finishes are available to meet your job requirements. Includes a 30-year Kynar 500 finish warranty on coil-coated standard colors. Custom colors are also available. For the most accurate color representation contact Performance Roof Systems to request a paint chip.

TECHNICAL DRAWINGS



TECHNICAL SERVICES

Engineering and shop drawings are available from the factory. Product samples, detail sheets, color chips and color charts are ready for your submittal package. Long form specifications and CAD details are available on our web site. For personal assistance with questions or submittals, contact your local representative or call Performance Roof Systems.