

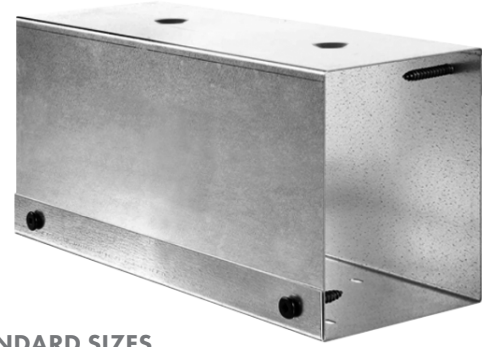
DERBIGUM EDGEBOX R1

DESCRIPTION

The DERBIGUM EdgeBox R1 is an innovative engineered metal system designed to replace traditional wood blocking or nailers at the perimeter of a low-slope roof. Replacing wood nailers with DERBIGUM EdgeBox R1 increases the structural integrity of the roof perimeter, significantly reducing the risk of failure and helps protect the entire system from costly damages and blow-off. Custom-made for each application, the EdgeBox R1 is available in virtually any height/width combination up to 16-inches.

ADVANTAGES

- ▶ Straight and true EdgeBox R1 eliminates the labor needed to align and install multiple stacked nailers properly.
- ▶ Manufactured from galvanized steel eliminates corrosion concerns and is not subject to the typical maintenance of replacing twisted, rotting, or split wood nailers.
- ▶ EdgeBox R1 is compatible with most commercial roofing systems, decks, and insulation types.
- ▶ EdgeBox R1 is ANSI/SPRI/FM 4435/ES-1 tested and approved with an FM 1-540 perimeter rating and an FM 1-360 corner rating.
- ▶ EdgeBox R1 is easy to install end-to-end with no need for miters.



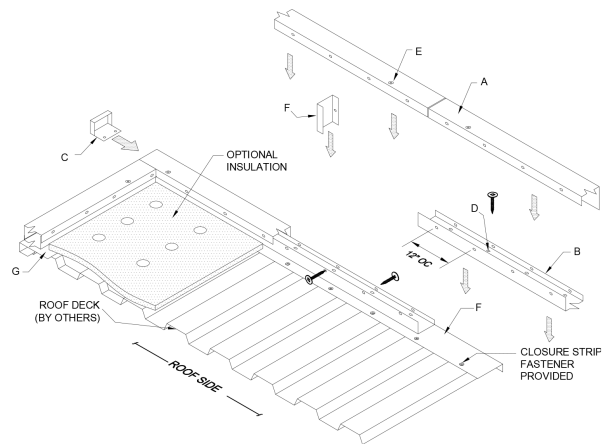
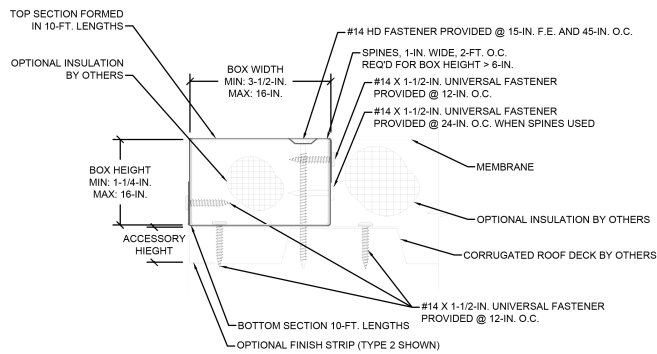
STANDARD SIZES

HEIGHT (inches)	WIDTH (inches)	MATERIAL
1.25 - 6	3.5 - 6	20 Ga. Galvanized Steel Box
6.25 - 12		20 Ga. Galvanized Steel Box with 20 Ga. Spine
12.25 - 16		20 Ga. Galvanized Steel Box with 16 Ga. Spine

TECHNICAL SERVICES

Engineering and shop drawings are available from the factory. Product samples and detail sheets are ready for your submittal package. For personal assistance with questions or submittals, contact Performance Roof Systems Technical Services.

STANDARD DETAILS



A	Top Section (10 ft. lengths)	E	#14 HD Roofing Fastener (Size varies based on box height)
B	Bottom Section (10 ft. lengths)	F	EdgeBox Spine (For box heights greater than 6")
C	End Cap Insert (10 ft. lengths)	G	Finish Strip* (Parallel to deck flutes)
D	#14-1 1/2" Universal Fastener (Included)	H	Closure Strip* (Perpendicular to deck flutes)

* Required for metal decks only