

DERBIGUM ONE FASCIA

DESCRIPTION

DERBIGUM One Fascia's unique, extruded anchor bar allows for vertical face attachment without penetrating the horizontal flange. This eliminates the need to strip-in the deck flange and the potential delamination between the asphalt and metal deck flange due to thermal expansion and contraction forces. DERBIGUM One Fascia is a high performance edge treatment for all your modified or built-up roof projects.

FEATURES & BENEFITS

- ▶ Non-penetrating design eliminates the need for stripping-in or heat welding that's typical with other roof edge systems
- ▶ FM approved
- ▶ Easy installation and decreased labor costs
- ▶ Carefully designed and tested to comply with ANSI/SPRI/ES-1 the International Building Code

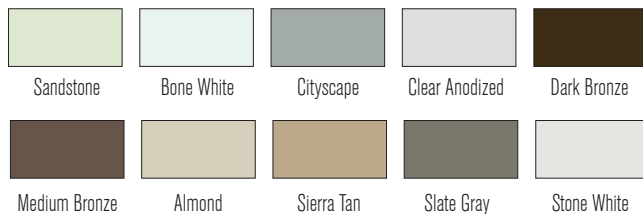
TYPICAL PROPERTIES

Anchor Bar	12' lengths, extruded 6063-T6 alloy aluminum with pre-slotted holes for fasteners to ensure proper placement
Fasteners	#10 x 2" Stainless steel hexagonal head, with furnished driver bit
Face Heights	Available in 1.25 - 6 inch heights
Fascia Cover	Snap-on design, manufactured in 12' lengths, available in the following materials: 22 ga Steel .040" aluminum .050" aluminum .063" aluminum
Finishes	- Natural mill-finish aluminum - Pre-coat Kynar® 500 - Premium metallic Kynar - Anodized aluminum – clear, bronze, and black - Custom post-painted Kynar finishes available upon request

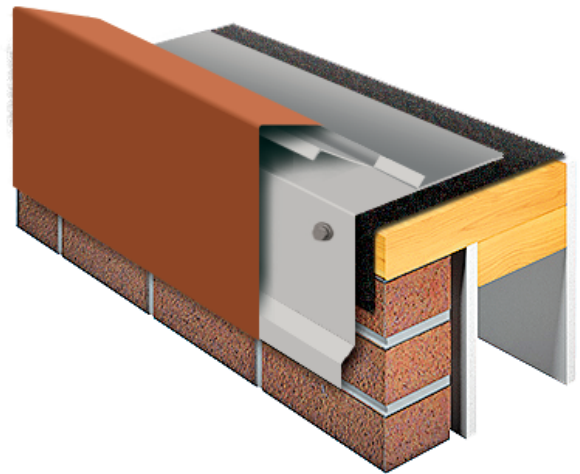
COLORS & FINISHES

Express, standard and premium colors and finishes are available to meet your job requirements. Includes a 30-year Kynar 500 finish warranty on coil-coated standard colors. Custom colors are also available. For the most accurate color representation contact your Performance Roof Systems Sales Representative to request a paint chip.

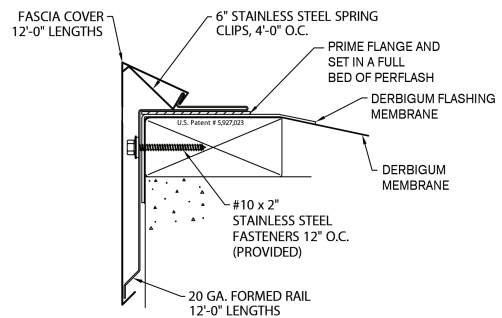
10 EXPRESS COLORS FOR QUICK SHIPPING



*All colors are available in a mill finish.



TYPICAL INSTALLATION



TECHNICAL SERVICES

Engineering and shop drawings are available from the factory. Product samples, detail sheets, color chips and color charts are ready for your submittal package. Long form specifications and CAD details are available on our web site. For personal assistance with questions or submittals, contact Performance Roof Systems Technical Services.