

# PERLOK #12 PA FASTENER

Pre-assembled #12 Fastener and Metal Insulation Plate

## DESCRIPTION

The PERLOK #12 PA FASTENER is a pre-assembled fastener and insulation plate to improve the productivity of attaching insulation, coverboards, and base sheets to corrugated steel and wood substrates. The PERLOK #12 PA FASTENER features a #12 drill point fastener with a 3" Galvalume™ plate and is available in #3 Phillips Truss Head (PA) and 1/4" Hex Head (PAH) styles.

## PRODUCT SELECTION

FASTENER LENGTH	PART #		PACKAGE
	Inches	Phillips Head	
1 5/8	PA-1625	PAH-1625	250
2 1/4	PA-1625	PAH-1625	250
2 7/8	PA-2875	PAH-2875	250
3 1/4	PA-3250	PAH-3250	250
3 3/4	PA-3250	PAH-3250	250
4 1/2	PA-4500	PAH-4500	250
5	PA-5000	PAH-5000	250
6	PA-6000	PA-6000	250
7	PA-7000	PA-7000	200
8	PA-8000	PA-8000	200

## INSTALLATION

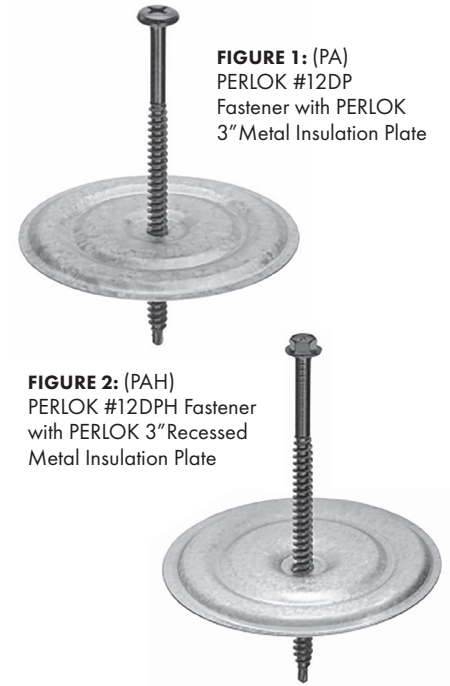
**For Steel and Wood Decks:** Using the #3 Phillips drive bit provided and a 0-2500 rpm screw gun, install the fastener into the deck. The fastener must penetrate the deck a minimum of 3/4 inch, as measured from the underside of the deck to the fastener tip. Care should be taken to orient the fastener perpendicular to the deck and not to overdrive the fastener to prevent damage to the insulation or membrane.

## PULLOUT TESTING

The strength of different roof decks can vary widely and can be adversely affected by moisture and other conditions. Therefore, it is recommended that a fastener pull test be conducted to help evaluate deck condition and fastener suitability. Contact Performance Roof Systems Technical Services to schedule testing.

## APPROVED ACCESSORIES

- PERLOK Magnetic Setter tool
- PERLOK 29" Stand-Up Electric Power Tool, 0-2500 rpm
- PERLOK Fastener Bag (500 count capacity)



**FIGURE 1:** (PA) PERLOK #12DP Fastener with PERLOK 3" Metal Insulation Plate

**FIGURE 2:** (PAH) PERLOK #12DPH Fastener with PERLOK 3" Recessed Metal Insulation Plate