

# PERLOK TERMINATION BARS

## DESCRIPTION

PERLOK TERMINATION BARS are designed to terminate membrane at parapet walls and other penetrations. PERLOK TERMINATION BARS are 1-inch wide, heavy-duty metal strips with pre-punched holes that come spaced on 6, 8 or 12-in centers. Termination Bars are available in extruded aluminum (6063 T6 alloy) or stainless steel (#304 alloy).

## PRODUCT SELECTION

**PERLOK TB-50 Termination Bar** are 1-in flat aluminum bar with 2 - 1/4 inch channels. Approved for use with PERLOK #14HD, #14SSHD, #15EHD and Zamac Fasteners.

**PERLOK TB-90 & TB-125 Termination Bars** are 1-in wide flat metal bars available in aluminum or stainless steel. Approved for use with PERLOK #14HD, #14SSHD, #15EHD and Zamac Fasteners.

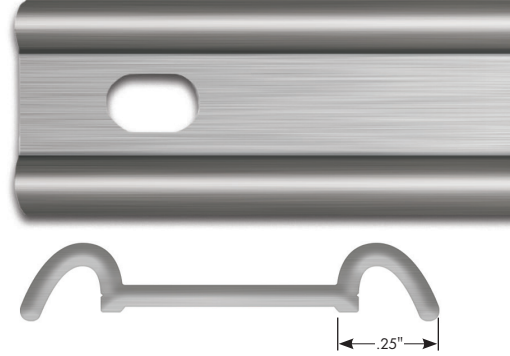
**PERLOK TB-75 & TB-100 Termination Bars** are 1-in wide flat metal bars with a 1/4 inch lip angled at 35°. Approved for use with PERLOK #14HD, #14SSHD, #15EHD and Zamac Fasteners.

## PRODUCT SPECIFICATIONS

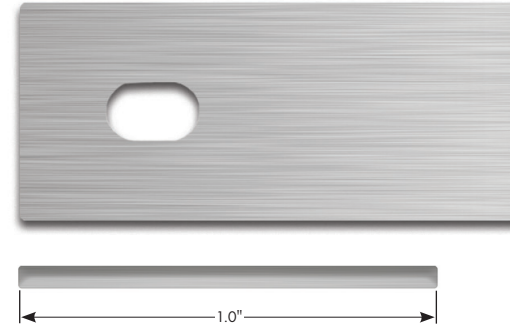
PRODUCT	PART #	OC SPACING	DIMENSIONS			PACKAGE	
			Thickness	Width	Length	Quantity	Weight
PERLOK TB-50	TB-50-6	6"	.050"	1"	10'	50	40 lb
	TB-50-8	8"					
PERLOK TB-75	TB-75-6	6"	.075"	1"	10'	50	50 lb
	TB-75-8	8"					
	TB-75-12	12"					
PERLOK TB-90 Flat	TB-90-6	6"	.090"	1"	10'	50	55 lb
	TB-90-8	8"					
PERLOK TB-100	TB-100-6	6"	.100"	1"	10'	50	65 lb
	TB-100-8	8"					
PERLOK TB-125 Flat	TB-125-6	6"	.125"	1"	10'	50	75 lb
	TB-125-8	8"					
	TB-125-12	12"					
PERLOK TB-75-SS <i>Stainless steel</i>	TB-75-SS	6"	.075"	1"	10'	20	51 lb
PERLOK TB-125-SS Flat <i>Stainless steel</i>	TB-125-SS	6"	.125"	1"	10'	20	95 lb

\* All values shown are nominal.

PERLOK TB-50



PERLOK TB-90 & T-125 FLAT



PERLOK TB-75 & T-100

