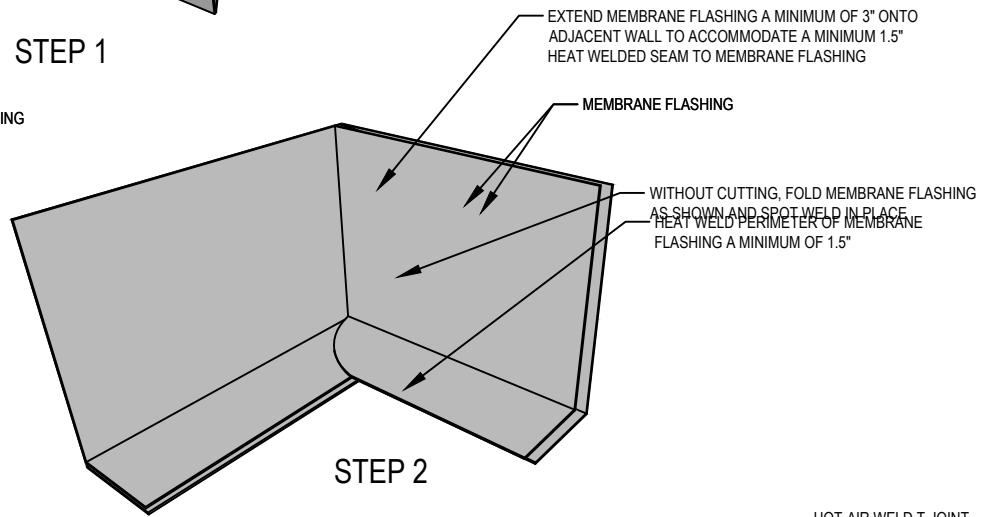
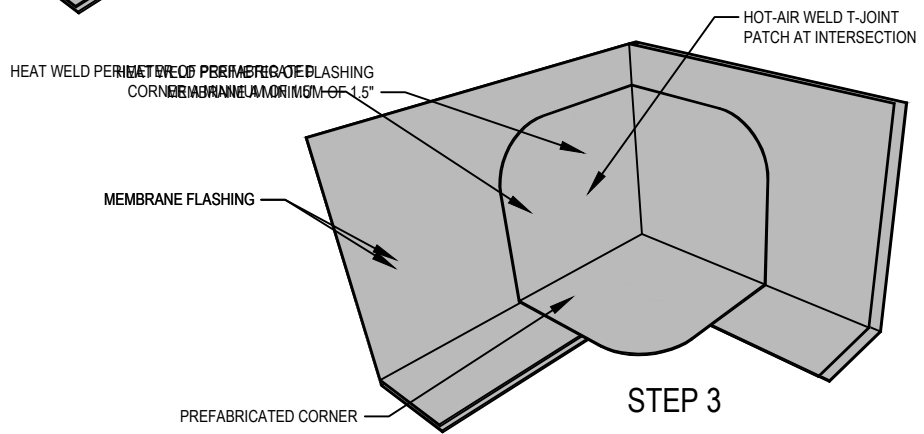


STEP 1



STEP 2



STEP 3

NOTES:

1. DERBIGUM DETAIL DRAWINGS: REFER TO DERBIGUM AND OTHER RELATED PUBLISHED DOCUMENTATION, PRODUCT DATA SHEETS (PDS) AND SAFETY DATA SHEETS (SDS) FOR ADDITIONAL INFORMATION. ALL DETAIL DRAWINGS AND RELATED INSTALLATION GUIDELINES ARE PROVIDED BY DERBIGUM FOR THE SOLE PURPOSE OF ISSUING A DERBIGUM WARRANTY. ACCORDINGLY, THE DETAIL DRAWINGS ARE NOT OFFERED, AND SHOULD NOT BE CONSIDERED, AS A SUBSTITUTE FOR PROFESSIONAL DESIGN SERVICES.
2. HOT WORK: THE CONTRACTOR IS RESPONSIBLE FOR DETERMINING APPROPRIATE CONDITIONS TO UTILIZE HOT-AIR WELDING EQUIPMENT. REFER TO LOCAL CODES AND BUILDING OWNER'S REQUIREMENTS FOR HOT WORK OPERATIONS.
4. FLASHING PLYS MUST EXTEND VERTICALLY A MINIMUM OF 8" FROM ROOF SURFACE. FLASHING PLYS EXTENDING VERTICALLY MORE THAN 60" FROM ROOF SURFACE MUST BE ADHERED AND MECHANICALLY FASTENED ALONG THE TOP LEADING EDGE. REFER TO PUBLISHED DOCUMENTATION.



PROJECT:

TITLE: **SENTINEL by SOPREMA Group  
INSIDE CORNERS**

DRAWN BY: SOPREMA TECHNICAL SUPPORT, GGALLOWAY		
NO.:	REVISION:	DATE:
DATE: 1.13.2017	DRAWING NUMBER: <b>DUS.RPVC.02.02</b>	
SCALE: NTS		